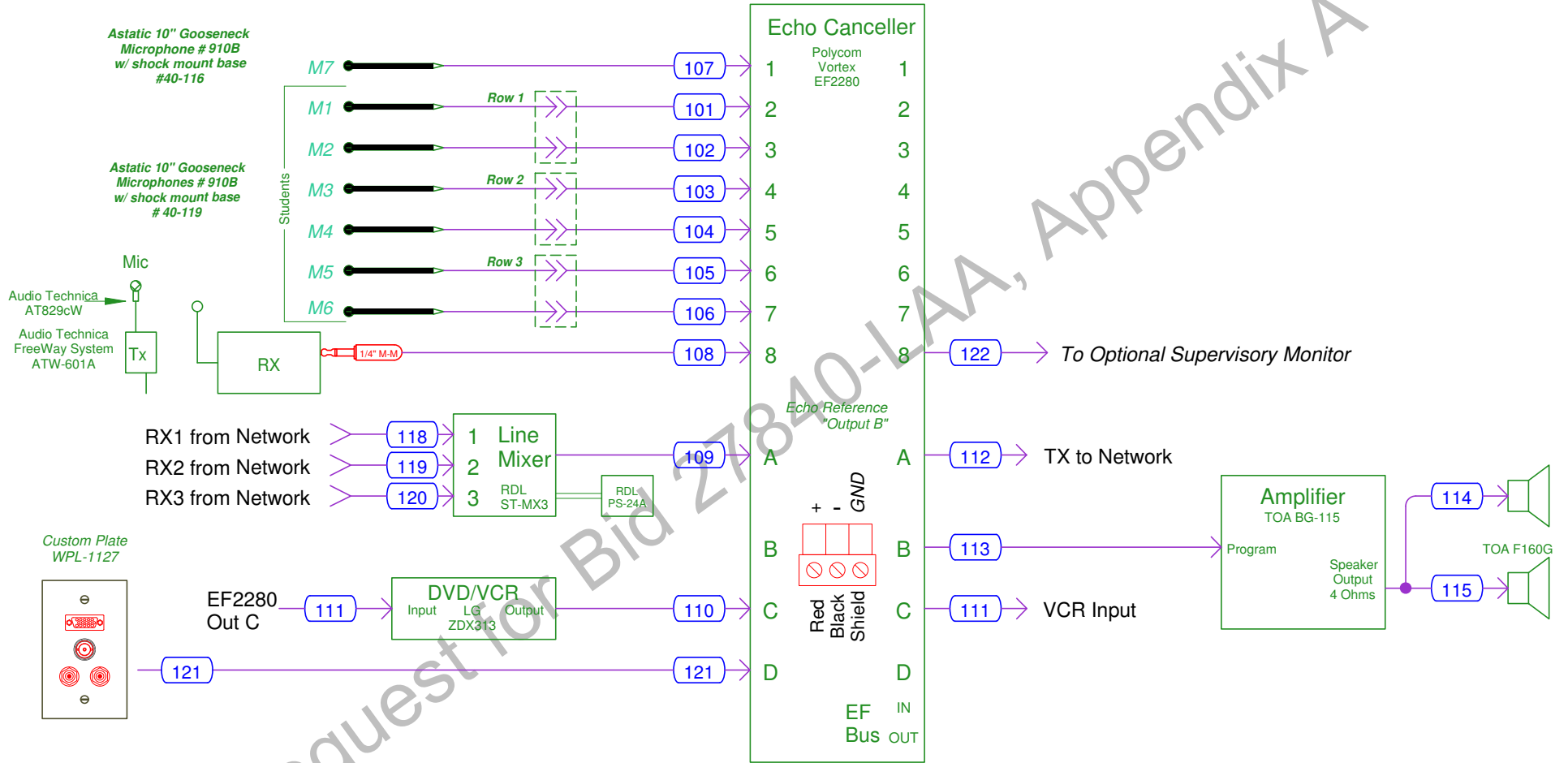


\*\*\*WARNING! Configuration setting for the EF2280 MUST be Stored in User Preset 16 AND the Power On Preset MUST be set to User Preset 16 or all changes will be lost when unit loses power and will be set to Factory Default Preset 0. \*\*\*

NOTES: All wire West Penn 291 unless otherwise indicated

Echo Ref 1 must be assigned to all audio routed to room speakers.  
AND AEC must be assigned to each microphone.



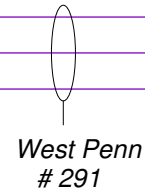
Request for Bid 27840-LAA, Appendix A


## Audio Wiring

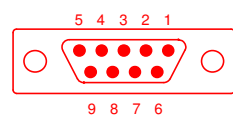
**DL Nav RS-232 (P5)**  
**9 pin Female**



Cable # 305



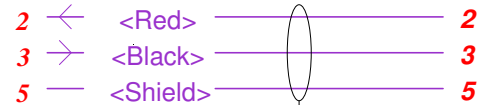
**9 pin Male Vortex EF2280**  
**Echo Canceller**



Switch #5 ON

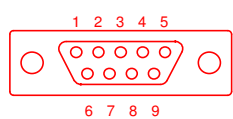
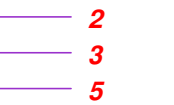
**Kramer VS88**  
**9 pin Male**

**DL Navigator RS-232 (P6)**  
**9 pin Female**

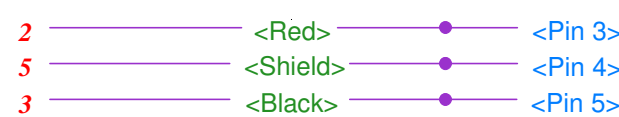


Cable # 306

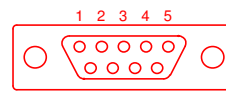
West Penn # 291



**DL Nav RS-232 (P2 & P3)**  
**9 pin Female**

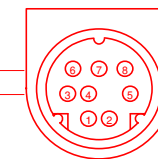


Cable # 302 & 303



View of Female 9 pin Solder Cup Side

**For Sony Cameras - VISCA In**



View of Male 8 Pin Mini-Din

**Connector Pin Assignments**

9 Pin	Flow	8 Pin Mini-Din #
2	←	3
5	GND	4
3	→	5

**DL Nav RS-232 (P7)**  
**9 pin Female**

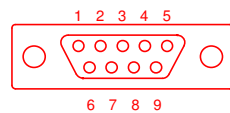


Cable # 307

West Penn # 291

**SHOT-BOX (SB-1)**  
**9 pin Female**

DIPS 3, 5, 6, & 8 Down



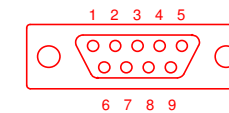
**DL Navigator RS-232 (P4)**  
**9 pin Female**



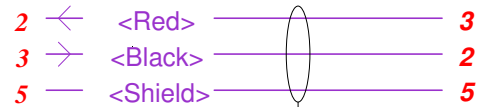
Cable # 304

West Penn # 291

**ViewSonic LCD Projector**  
**9 pin Male**



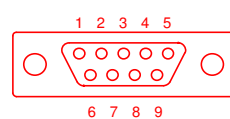
**DL Navigator Expansion card (Comm 11)**  
**9 pin Female**



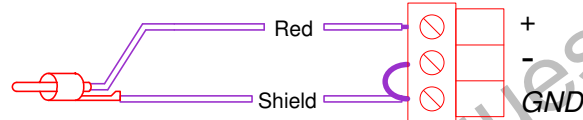
Cable # 309

West Penn # 291

**Kramer VP-4x4**  
**9 pin Male**

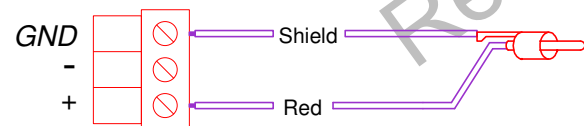


From Unbalanced RCA Source

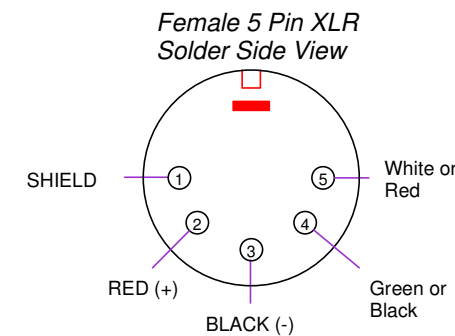
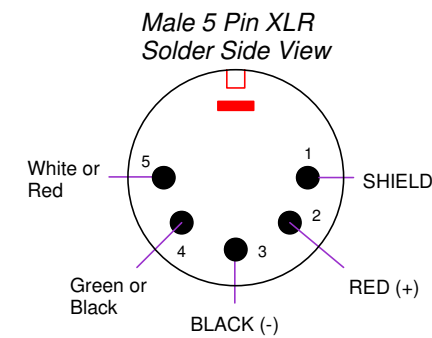
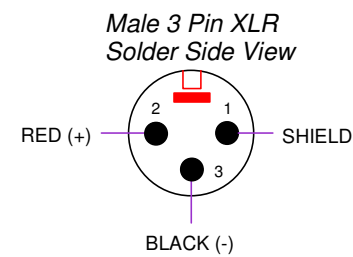
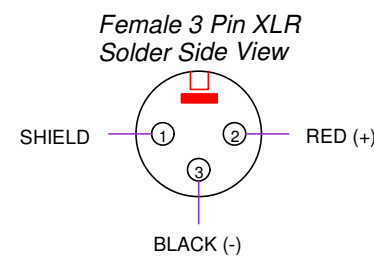


Vortex Input

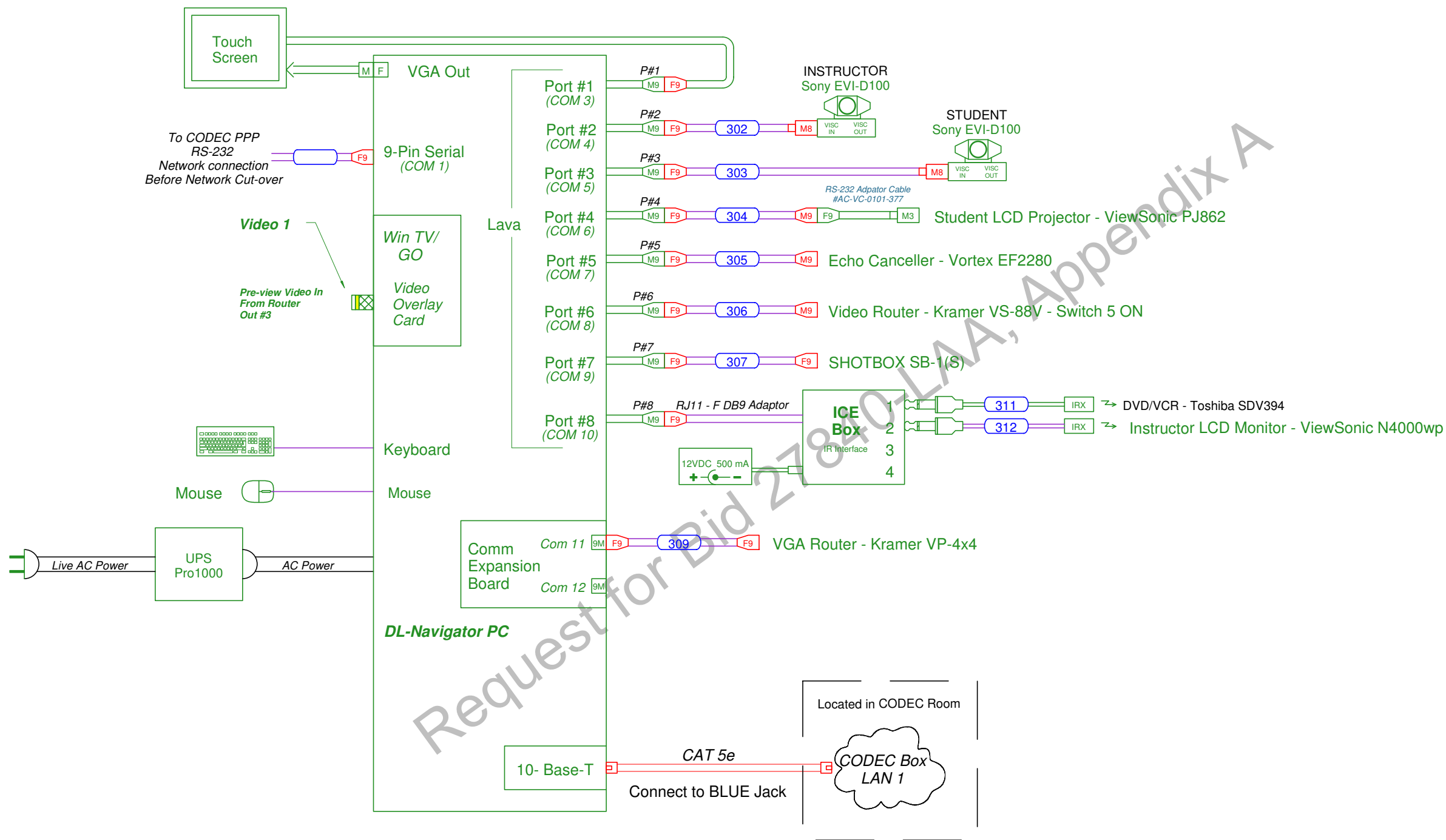
Vortex Output



To Unbalanced RCA Input

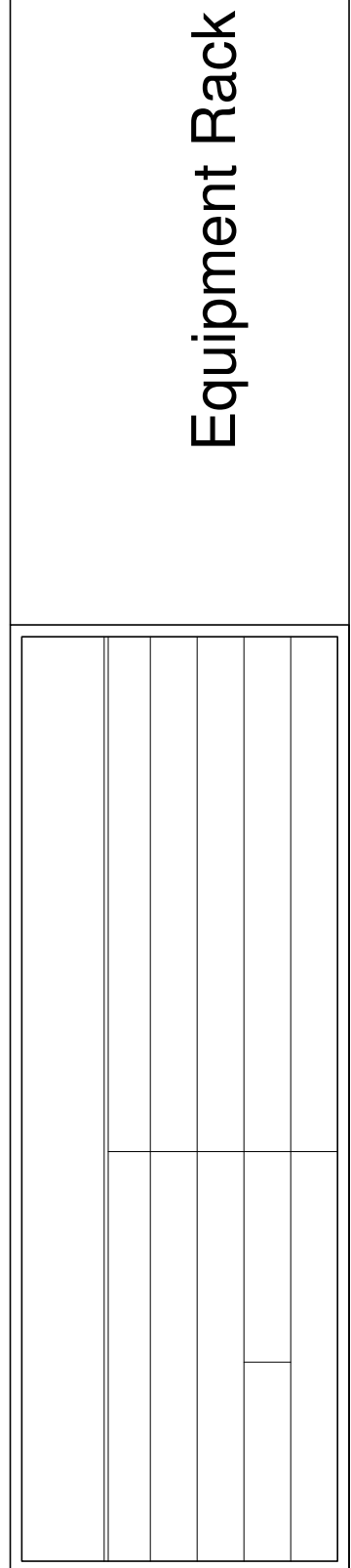
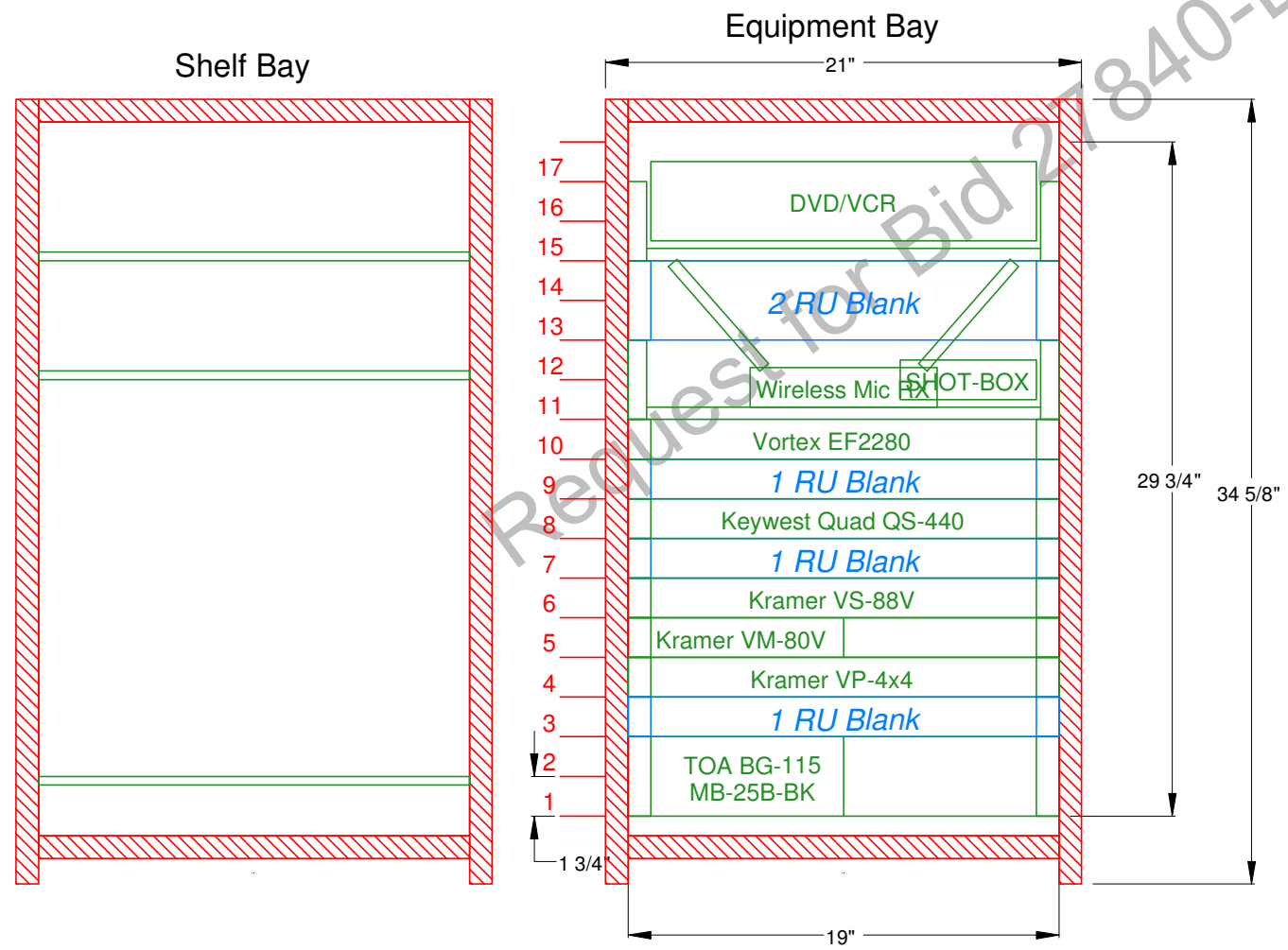
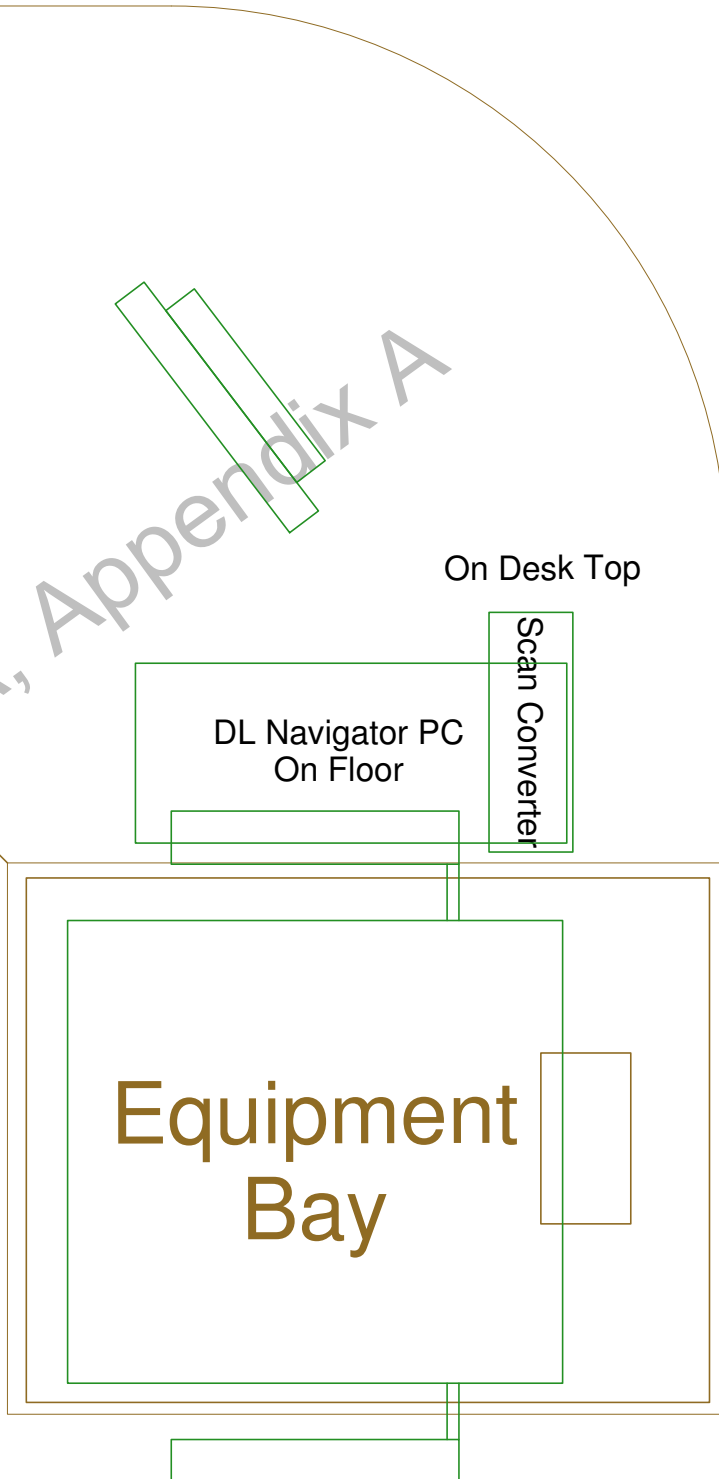
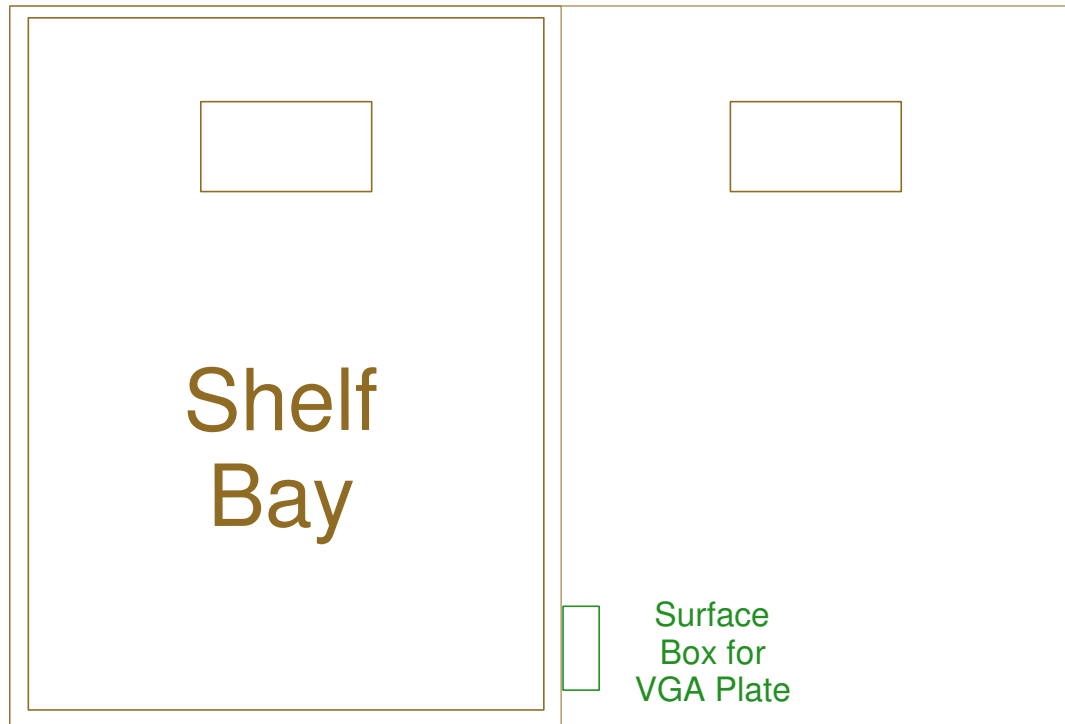


Connector Details

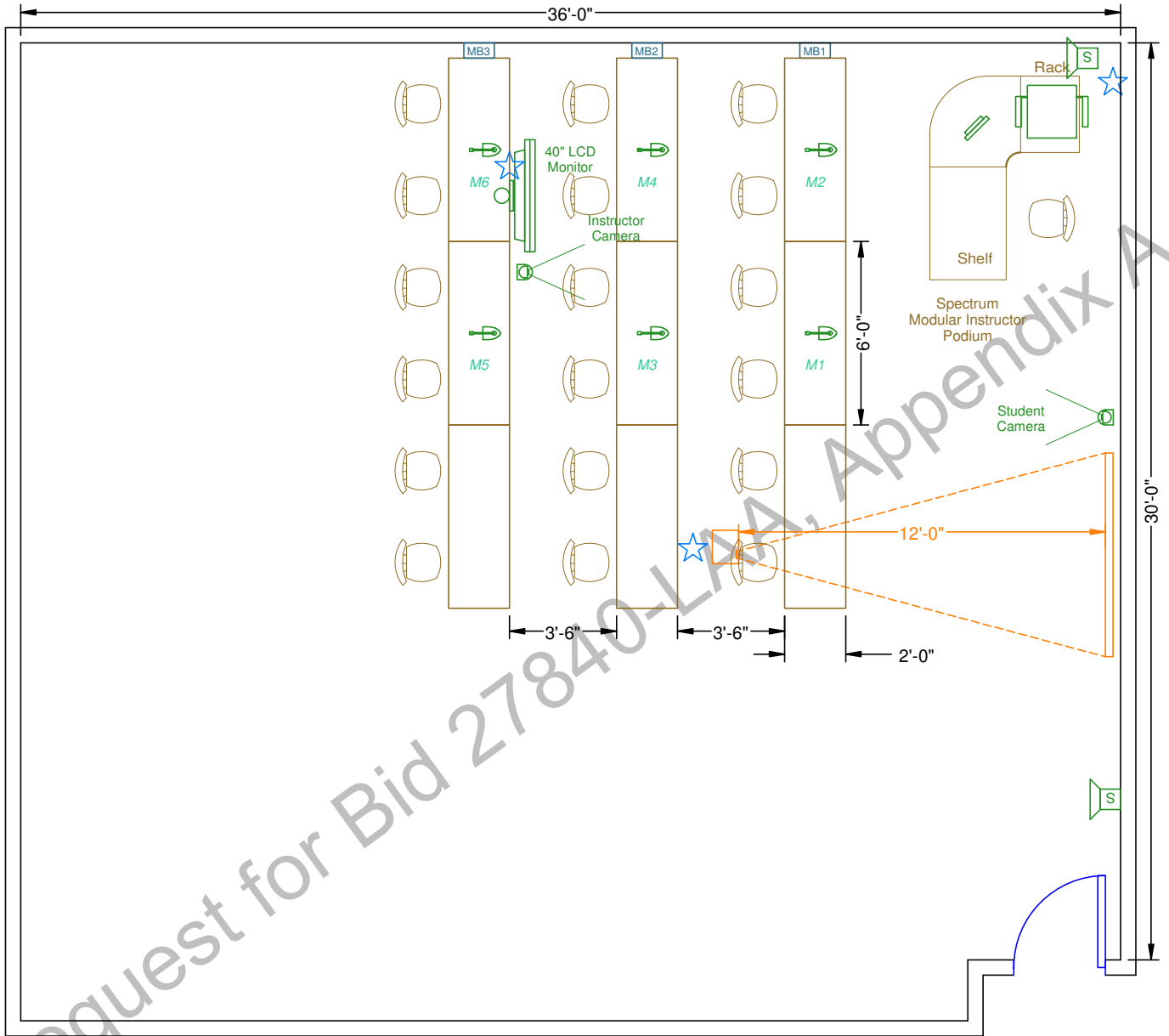



NOTE:  
 All wire West Penn 291  
 unless otherwise indicated

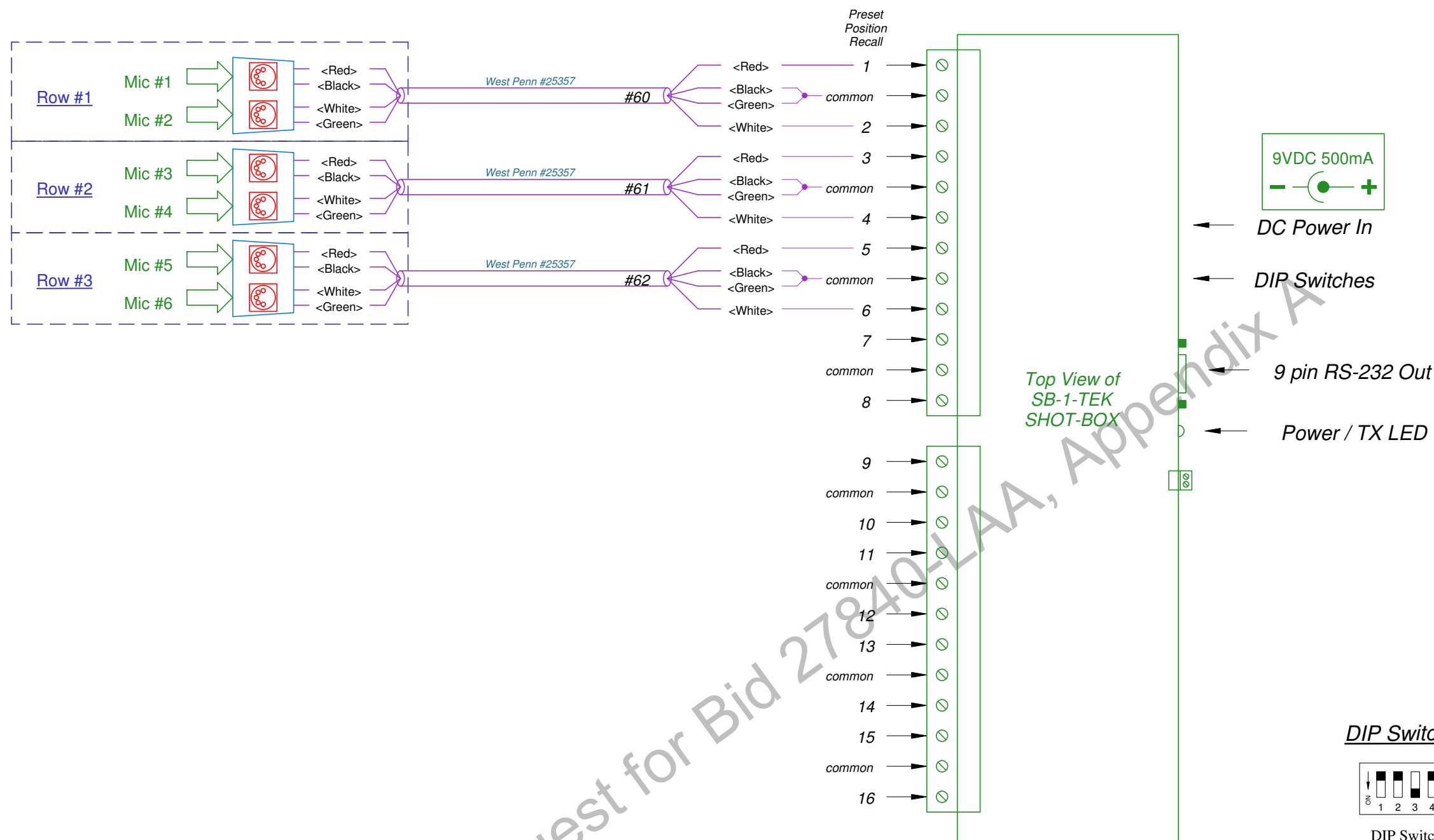
Control Flow

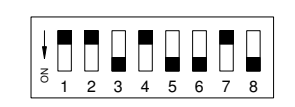
# Room Layout



☆ - AC outlet needed at this location.

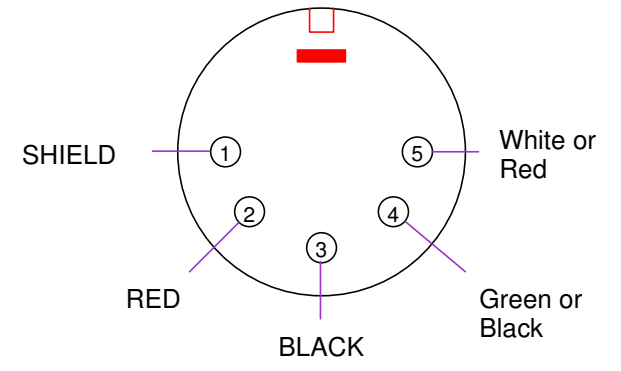



**DIP Switch Settings**



DIP Switch positions # 3, 5, 6 & 8 are DOWN

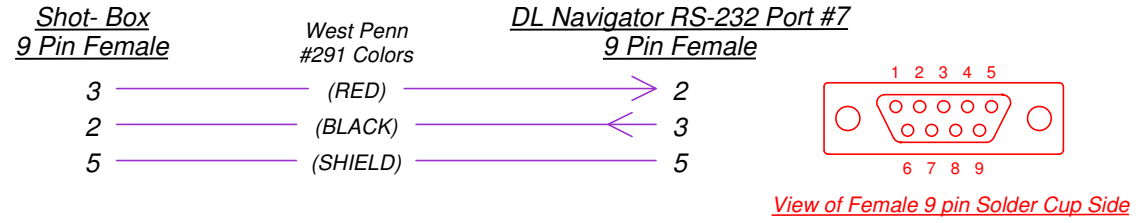
**Female 5 Pin XLR Solder Side View**



**Connector Pin Assignments**

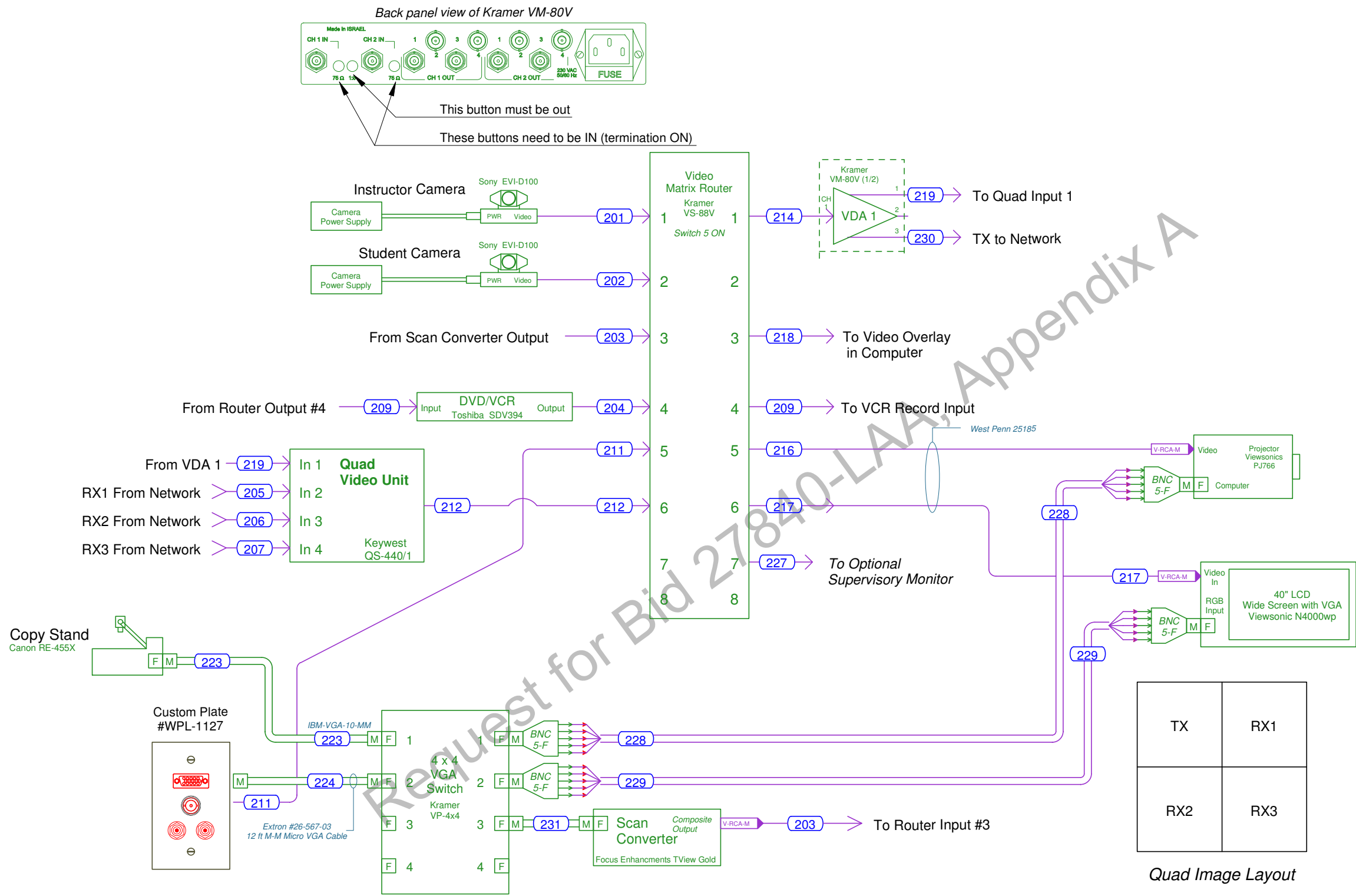
9 Pin Female	Signal	9 Pin Female
2	RXD	3
3	TXD	2
5	GND	5

**SB-1 SHOT-BOX to DL Navigator RS-232 (P7) Cable**



Wiring Detail

Request for Bid 27840-LAA, Appendix A



**NOTES**

1. All RGB cable is Liberty RGB5CPLN, All Video Cable is West Penn 815, unless otherwise noted.
2. For five (5) coax RGBHV cables, White is H and Yellow is V
3. Last # 231

